

**GENERAL BODY MOUNT ASSEMBLY INSTRUCTIONS**

1) NOTE ALL BODY MOUNT POSITIONS AND RESPECTIVE PARTS (MOUNT SIZE/TYPE, WASHERS, SPACERS, BOLTS, SHIMS, ETC.) BEFORE AND DURING DISASSEMBLY. YOU MAY HAVE TO REUSE CERTAIN FACTORY HARDWARE PIECES THAT ARE NOT INCLUDED IN KIT. NOTE: EACH VEHICLE DEPENDING ON MODEL WILL HAVE 3 - 6 MOUNTS PER SIDE LOCATED BETWEEN FRAME AND BODY.

2) IF MOUNTING BOLTS AND NUTS ARE RUSTED, LIBERALLY SPRAY WITH PENETRATING OIL (IE. WD-40).

3) SUPPORT VEHICLE BODY PROPERLY BEFORE REMOVING MOUNTS. USE A 2"X4" PIECE OF WOOD 24" LONG (OR ANY OTHER SUITABLE SIZE) BETWEEN JACK AND BODY PANEL TO SPREAD THE WEIGHT LOAD OUT SO AS NOT TO DAMAGE THE BODY PANELS. IF NECESSARY, SUPPORT BODY IN SEVERAL AREAS.

4) LOOSEN ALL BOLTS AND NUTS BUT DO NOT REMOVE. (SEE SPECIAL DISASSEMBLY DIAGRAM FOR FORD ONLY).

5) WORKING FROM ONLY ONE SIDE OF VEHICLE AT A TIME REMOVE MOUNTING BOLT AND NUT AND RAISE BODY ONLY HIGH ENOUGH TO REPLACE MOUNT, NEVER HIGHER. ALSO CHECK OTHER AREAS ON BODY AND FRAME TO AVOID ANY INTERFERENCE PROBLEMS WHEN RAISING BODY.

6) REPLACE MOUNTS ONE AT A TIME WITH SIMILAR SIZE URETHANE MOUNTS. IF WASHERS AND/OR SLEEVES HAVE BEEN PROVIDED, THEN THEY MUST BE COMBINED TO MATCH THE ORIGINAL FACTORY METAL PARTS WHICH THEY MAY REPLACE. REUSE ALL FACTORY METAL PARTS THAT ARE NOT REPLACED. NOTE: USE DIAGRAM AS A GUIDE TO ASSEMBLE. USE EXISTING PARTS WHERE NEW PARTS WERE NOT SUPPLIED.

7) AFTER ALL MOUNTS HAVE BEEN REPLACED ,TORQUE BOLTS TO FACTORY SPECIFICATIONS.

8) AFTER DRIVING VEHICLE FOR ABOUT 1000 MILES OR OFF ROADING RE-TORQUE BOLTS AGAIN. THIS IS TO INSURE THAT THE BOLTS HAVE NOT LOOSENED DUE TO INITIAL SETTLING THAT MAY TAKE PLACE.

**FORD BODY MOUNT DISASSEMBLY INSTRUCTIONS**

MOST FORDS USE A UNIQUE ONE PIECE STAMPED WASHER AND SLEEVE ASSEMBLY. THIS TYPE OF ASSEMBLY CAN SOMETIMES BE DIFFICULT TO REMOVE ESPECIALLY ON OLDER VEHICLES. USE THIS DIAGRAM AND INSTRUCTIONS TO FACILITATE DISASSEMBLY.

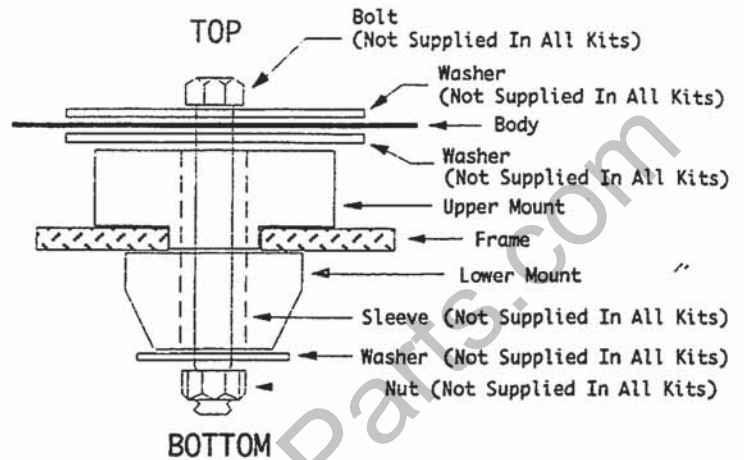
1) REMOVE BODY MOUNT BOLT FROM INSIDE OF CAB.

2) THREAD A BOLT FROM BELOW INTO BOTTOM NUT/WASHER ASSEMBLY UNTIL BOLT IS FLUSH WITH INSIDE OF WASHER. THIS IS TO PROTECT THE THREADS OF NUT DURING REMOVAL.

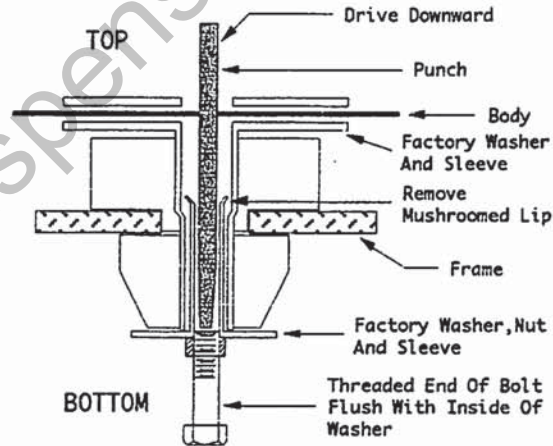
3) INSERT PUNCH INTO BODY MOUNT ASSEMBLY FROM INSIDE CAB. DRIVE BOTTOM WASHER/SLEEVE ASSEMBLY DOWNWARD AWAY FROM TOP ASSEMBLY.

4) LIP ON SLEEVE OF BOTTOM STAMPED WASHER/SLEEVE ASSEMBLY MAY HAVE BECOME MUSHROOMED ESPECIALLY ON OLDER VEHICLES. BEFORE REINSTALLING THIS PART REMOVE MUSHROOMED LIP TO AVOID ANY INTERFERENCE FIT PROBLEMS.

**TYPICAL BODY MOUNT**



**FORD TYPE BODY MOUNT (Disassembly Diagram)**



NUMBER	1-102 DESC	QTY	NUMBER	1-103 DESC	QTY	NUMBER	1-104 DESC	QTY
U-60317	BODY MOUNT	1	U-60254	BODY MOUNT	8	U-60254	BODY MOUNT	10
U-60318	BODY MOUNT	2	U-60263	BODY MOUNT	2	U-60263	BODY MOUNT	2
U-60319	BODY MOUNT	8	U-60264	BODY MOUNT	10	U-60264	BODY MOUNT	12
U-60320	BODY MOUNT	8	U-60317	BODY MOUNT	1	U-60317	BODY MOUNT	1
U-60321	BODY MOUNT	1	U-60321	BODY MOUNT	1	U-60321	BODY MOUNT	1
U-60322	BODY MOUNT	2						

NUMBER	1-105 DESC	QTY	NUMBER	18-101 DESC	QTY	NUMBER	18-102 DESC	QTY
U-60317	BODY MOUNT	1	SLV-60569	5/8" X 1.625"	6	SLV-60569	5/8" X 1.625"	10
U-60321	BODY MOUNT	1	U-60270	CAB MOUNT	6	U-60270	CAB MOUNT	10
U-68023	BODY MOUNT	6	U-60271	CAB MOUNT	2	U-60271	CAB MOUNT	2
U-68024	BODY MOUNT	4	U-60272	CAB MOUNT	4	U-60272	CAB MOUNT	8
U-68025	BODY MOUNT	4	WASH-1157	3/8" X 2"OD FLAT	2	WASH-1157	3/8" X 2"OD FLAT	2
U-68026	BODY MOUNT	6	WASH-1160	3/8" X 2 1/2"OD FLAT	4	WASH-1160	3/8" X 2 1/2"OD FLAT	8
WASH-1159	1/2" X 2" FLAT	10						