

INSTALLATION INSTRUCTIONS FOR KITS #1-1302, 1-1702, 1-1703, 1-1705

FRONT LIFT SPACER INSTALLATION

- 1) DISASSEMBLE FRONT SPRING ASSEMBLY.
- 2) REMOVE FACTORY RUBBER ISOLATOR.
- 3) INSTALL PROTHANE™ LIFT ISOLATOR ON TOP OF SPRING WITH THE LIP SIDE FACING DOWN (SEE LIFT SPACER CHART).
- 4) ASSEMBLE FRONT SPRING ASSEMBLY.

REAR LIFT SPACER INSTALLATION

- 1) DISASSEMBLE REAR SPRING ASSEMBLY.
- 2) INSTALL PROTHANE™ LIFT ISOLATOR ON TOP OF SPRING WITH THE LIP FACING DOWN (SEE LIFT SPACER CHART).
- 3) ASSEMBLE REAR SPRING ASSEMBLY.

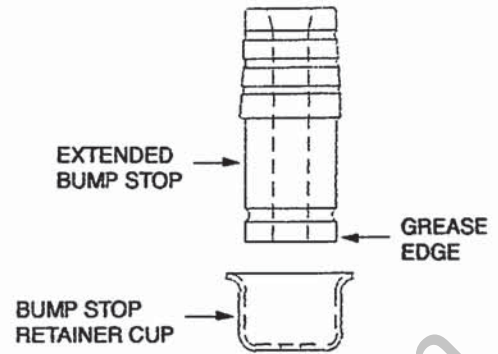
EXTENDED BUMP STOP INSTALLATION

- 1) DISASSEMBLE SPRING ASSEMBLY.
- 2) REMOVE FACTORY BUMP STOP BY PULLING DOWN ON BUMP STOP.
- 3) UNBOLT AND REMOVE THE BUMP STOP RETAINING CUP.
- 4) PLACE CUP WITH OPEN END FACE UP ON TABLE.
- 5) LIGHTLY GREASE LIP OF PROTHANE™ BUMP STOP (SEE DRAWING) AND FIRMLY PUSH INTO RETAINING CUP UNTIL BUMP STOP SNAPS IN PLACE.
- 6) INSTALL BUMP STOP ONTO VEHICLE. USE A 15MM SOCKET AND PROPER EXTENSION INSERTED THRU THE BUMP STOP TO SECURE RETAINING CUP BOLT.

LIFT SPACER CHART

LIFT HEIGHT	PART #
FRONT 1"	U-60574
REAR 1-1/2"	U-60574
FRONT 1-1/2"	U-60575
REAR 2"	U-60575

FORM 1-1700 REV. 1/04



PARTS LIST FOR KIT #1-1302

PART #	DESCRIPTION	QTY
U-67005	1.5" XTND BUMP STOP	2

PARTS LIST FOR KIT #1-1702

PART #	DESCRIPTION	QTY
U-60574	1"/1.5" LIFT ISOLATOR	2
1-1707	REAR BUMP STOP KIT	1

PARTS LIST FOR KIT #1-1703

PART #	DESCRIPTION	QTY
U-60575	1.5"/2" LIFT ISOLATOR	2
1-1707	REAR BUMP STOP KIT	1

PARTS LIST FOR KIT #1-1705

PART #	DESCRIPTION	QTY
U-60574	1"/1.5" LIFT ISOLATOR	2
U-60575	1.5"/2" LIFT ISOLATOR	2
U-67005	1.5" XTND BUMP STOP	4
1-1707	REAR BUMP STOP KIT	1

INSTALLATION INSTRUCTIONS FOR KITS #1-1302, 1-1702, 1-1703, 1-1705

FRONT LIFT SPACER INSTALLATION

- 1) DISASSEMBLE FRONT SPRING ASSEMBLY.
- 2) REMOVE FACTORY RUBBER ISOLATOR.
- 3) INSTALL PROTHANE™ LIFT ISOLATOR ON TOP OF SPRING WITH THE LIP SIDE FACING DOWN (SEE LIFT SPACER CHART).
- 4) ASSEMBLE FRONT SPRING ASSEMBLY.

REAR LIFT SPACER INSTALLATION

- 1) DISASSEMBLE REAR SPRING ASSEMBLY.
- 2) INSTALL PROTHANE™ LIFT ISOLATOR ON TOP OF SPRING WITH THE LIP FACING DOWN (SEE LIFT SPACER CHART).
- 3) ASSEMBLE REAR SPRING ASSEMBLY.

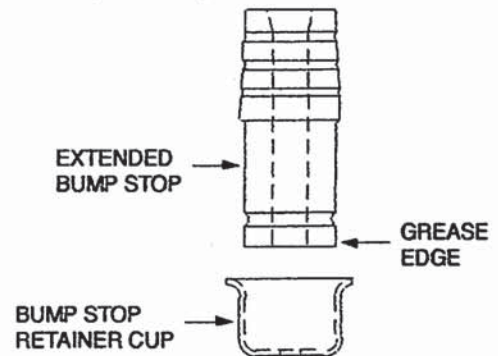
EXTENDED BUMP STOP INSTALLATION

- 1) DISASSEMBLE SPRING ASSEMBLY.
- 2) REMOVE FACTORY BUMP STOP BY PULLING DOWN ON BUMP STOP.
- 3) UNBOLT AND REMOVE THE BUMP STOP RETAINING CUP.
- 4) PLACE CUP WITH OPEN END FACE UP ON TABLE.
- 5) LIGHTLY GREASE LIP OF PROTHANE™ BUMP STOP (SEE DRAWING) AND FIRMLY PUSH INTO RETAINING CUP UNTIL BUMP STOP SNAPS IN PLACE.
- 6) INSTALL BUMP STOP ONTO VEHICLE. USE A 15MM SOCKET AND PROPER EXTENSION INSERTED THRU THE BUMP STOP TO SECURE RETAINING CUP BOLT.

LIFT SPACER CHART

LIFT HEIGHT	PART #
FRONT 1"	U-60574
REAR 1-1/2"	U-60574
FRONT 1-1/2"	U-60575
REAR 2"	U-60575

FORM 1-1700 REV. 1/04



PARTS LIST FOR KIT #1-1302

PART #	DESCRIPTION	QTY
U-67005	1.5" XTND BUMP STOP	2

PARTS LIST FOR KIT #1-1702

PART #	DESCRIPTION	QTY
U-60574	1"/1.5" LIFT ISOLATOR	2
1-1707	REAR BUMP STOP KIT	1

PARTS LIST FOR KIT #1-1703

PART #	DESCRIPTION	QTY
U-60575	1.5"/2" LIFT ISOLATOR	2
1-1707	REAR BUMP STOP KIT	1

PARTS LIST FOR KIT #1-1705

PART #	DESCRIPTION	QTY
U-60574	1"/1.5" LIFT ISOLATOR	2
U-60575	1.5"/2" LIFT ISOLATOR	2
U-67005	1.5" XTND BUMP STOP	4
1-1707	REAR BUMP STOP KIT	1