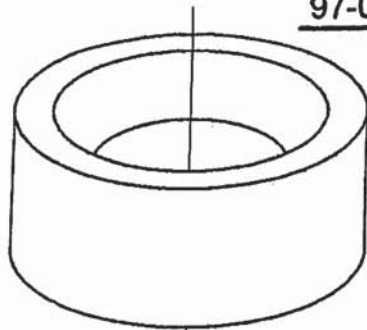
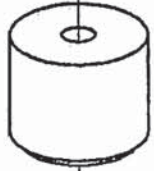


**97-04 JEEP TJ BUMP STOP SPACER KIT**

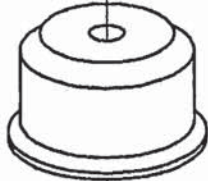


Your vehicle requires this Bump Stop Spacer Kit #1-1707 if the steel bump stop cup will NOT fit thru the center of the polyurethane coil spacer.

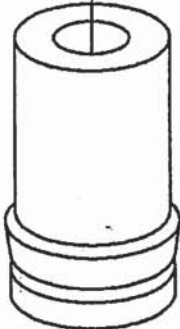
Polyurethane Coil Spacer  
(Purchase Separately)



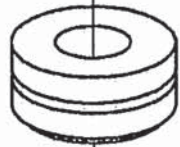
Polyurethane Bump Stop Spacer #67036  
(Included In Kit 1-1707)



Steel bump stop cup

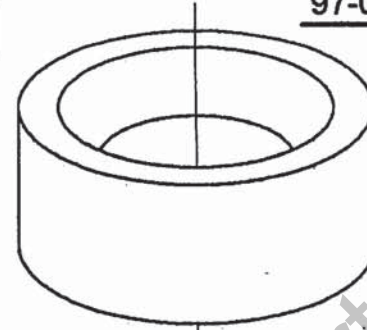


Polyurethane extended bump stop  
(Purchase Separately)



Trim approximately 1-1/2" from bump stop

**97-04 JEEP TJ BUMP STOP SPACER KIT**

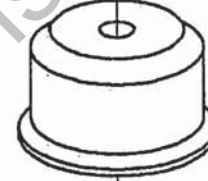


Your vehicle requires this Bump Stop Spacer Kit #1-1707 if the steel bump stop cup will NOT fit thru the center of the polyurethane coil spacer.

Polyurethane Coil Spacer  
(Purchase Separately)



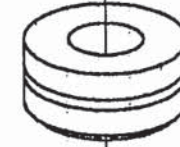
Polyurethane Bump Stop Spacer #67036  
(Included In Kit 1-1707)



Steel bump stop cup



Polyurethane extended bump stop  
(Purchase Separately)



Trim approximately 1-1/2" from bump stop