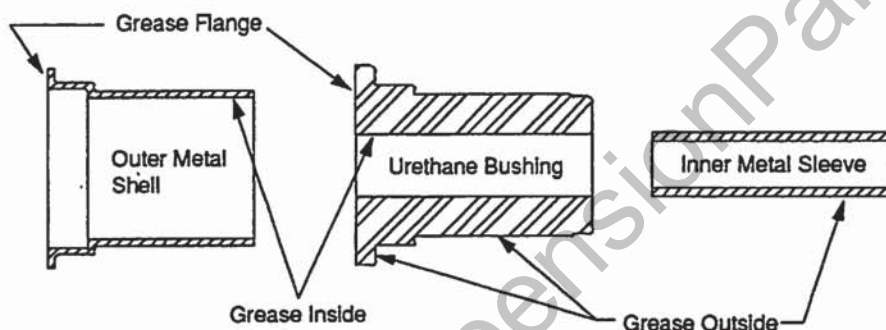


CONTROL ARM BUSHING INSTALLATION INSTRUCTIONS

1. CONTROL ARM BUSHINGS ARE DESIGNED TO REPLACE THE RUBBER PORTION OF THE ORIGINAL BUSHING (AND INNER SLEEVE WHEN SUPPLIED). THEREFORE THE ORIGINAL OUTER METAL SHELLS, WASHERS, SPACERS AND SPECIAL WASHERS AND SLEEVES THAT ARE USED WITH CAM BOLT TYPE BUSHINGS MUST BE REUSED. ALSO IF INNER METAL SLEEVE IS NOT INCLUDED IN KIT, THEN THE ORIGINAL INNER SLEEVE MUST BE REUSED.
2. DISASSEMBLE CONTROL ARM, BEING CAREFUL NOT TO DAMAGE ANY PARTS THAT ARE TO BE REUSED. REMOVAL OF THE ORIGINAL RUBBER BUSHING IS BEST ACCOMPLISHED BY BURNING AWAY THE ORIGINAL RUBBER. PAY CAREFUL ATTENTION TO OTHER ADJOINING PARTS THAT COULD BE DAMAGED BY HEAT. CAUTION-THIS SHOULD BE DONE BY A QUALIFIED SPECIALIST AS IT IS EXTREMELY DANGEROUS.
3. REMOVE ALL OF THE ORIGINAL RUBBER BUSHING MATERIAL AND CLEAN CONTACT SURFACES. THIS CAN BE DONE BY WIRE BRUSHING, SANDING OR SIMILAR PROCESS.
4. DISASSEMBLE NEW URETHANE BUSHINGS. LIGHTLY GREASE BUSHINGS AS DIAGRAM INDICATES WITH SPECIAL TEFLON GREASE INCLUDED IN KIT. IF MORE GREASE IS NEEDED, OBTAIN TEFLON GREASE FROM YOUR DEALER (PART #19-1750). USE ONLY OUR SPECIAL TEFLON GREASE.
5. INSTALL NEW URETHANE BUSHINGS AND ALL NECESSARY WASHERS, SPACERS AND SLEEVES. TORQUE TO FACTORY SPECIFICATIONS.
6. RE-ALIGN VEHICLE.
7. AFTER DRIVING VEHICLE FOR APPROXIMATELY 50 MILES, RE TORQUE BUSHING RETAINING NUTS AND OR BOLTS TO BE SURE THEY HAVE NOT LOOSENED DUE TO THE BUSHINGS SETTLING IN. REPEAT THIS PROCEDURE AFTER VEHICLE IS RACED, DRIVEN OFFROAD OR DRIVEN IN ABUSIVE CONDITIONS.

Grease All Contact Surfaces Between Bushing And Metal



THRUST WASHER INSTRUCTIONS FOR KIT # 1-202 , 2WD & 4WD

THRUST WASHERS PREVENT THE SIDWARD MOVEMENT OF THE CONTROL ARM THAT MAY OCCUR DURING CORNERING. INSTALL THEM AS THE DIAGRAMS AND PARTS LIST FOR YOUR KIT # INDICATES

2 WHEEL DRIVE

LOCATION	PART NO.
#1	64016
#2	64014
#3	64015
#4	64018

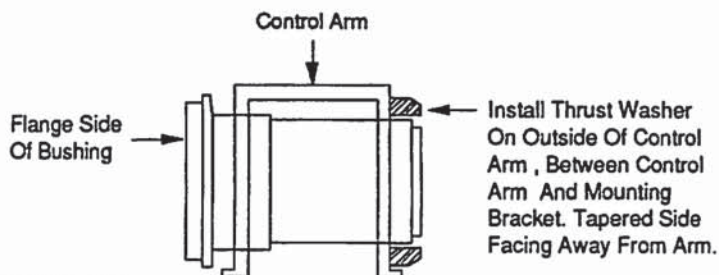
4 WHEEL DRIVE

LOCATION	PART NO.	INSTALLATION INSTRUCTIONS
#1	64017*	*USE PART NO. 64016 FOR
#2	64014	COMMAND TRACK MODELS.
#3	64015	AT RIGHT SIDE UPPER AT AXLE
#4	64018	ONLY.

PARTS LIST FOR KIT # 1-202

PART #	DESCRIPTION	QTY
19-1750-001	SUPER GREASE	2
SLV-60613	7/8 X 2.635 SLEEVE	4
SLV-60614	3/4 X 2.015 SLEEVE	4
U-64012	C-ARM BUSHING	4
U-64013	C-ARM BUSHING	4
U-64014	THRUST WASHER	2
U-64015	THRUST WASHER	2
U-64016	THRUST WASHER	2
U-64017	THRUST WASHER	2
U-64018	THRUST WASHER	2

POSITIONING DIAGRAM



LOCATION DIAGRAM

