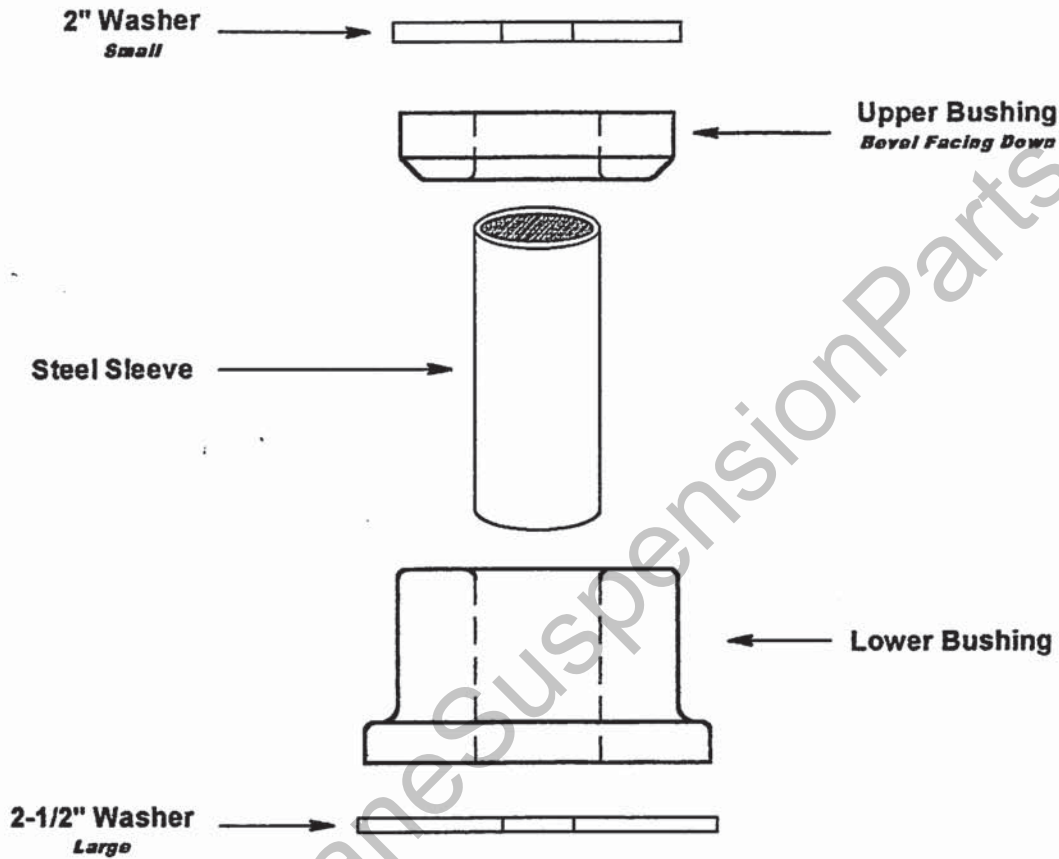


- 1) Loosen, but do not remove, all four sub-frame mounts.
- 2) One at a time remove and replace each mount with the new Prothane mount bushings. See Diagram.
- 3) Once all bushings have been replaced, square sub-frame to body by measuring in an "X" pattern.
- 4) Tighten sub-frame mounting bolts to factory specifications.



PARTS LIST FOR KIT #13-101

| Part # | Description | Qty |
|-----------|-------------------|-----|
| U-61167 | Bushing(Lwr) | 2 |
| U-61168 | Bushing(Lwr) | 2 |
| U-61169 | Bushing(Upr) | 2 |
| U-61170 | Bushing(Upr) | 2 |
| SLV-60833 | 7/8x11/16IDx1.92" | 2 |
| SLV-60668 | 3/4x11/16IDx1.88" | 2 |
| WASH-62 | 2.0x1/2x1/8" | 4 |
| WASH-1161 | 2.5x1/2x1/8" | 4 |

PARTS LIST FOR KIT #13-102

| Part # | Description | Qty |
|-----------|-------------------|-----|
| U-61167 | Bushing(Lwr) | 2 |
| U-61168 | Bushing(Lwr) | 2 |
| U-61171 | Bushing(Upr) | 2 |
| U-61172 | Bushing(Upr) | 2 |
| SLV-60871 | 7/8x11/16IDx1.70" | 2 |
| SLV-60647 | 3/4x11/16IDx1.71" | 2 |
| WASH-62 | 2.0x1/2x1/8" | 4 |
| WASH-1161 | 2.5x1/2x1/8" | 4 |

