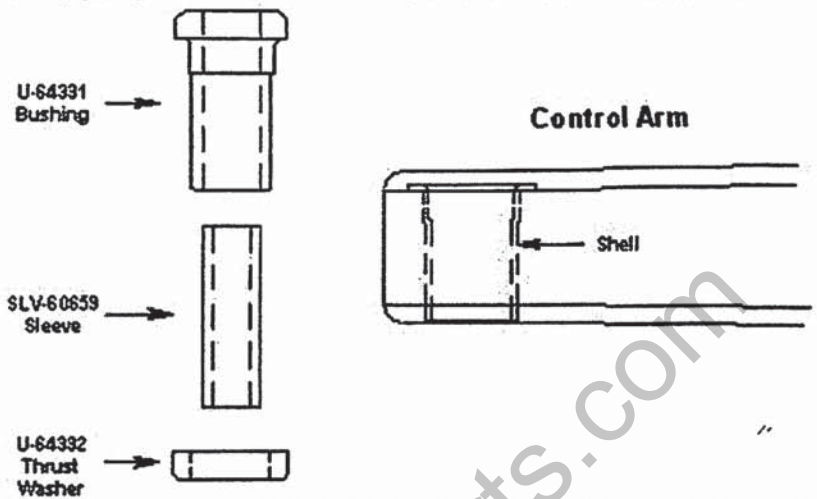


INSTALLATION INSTRUCTIONS FOR TOYOTA

Prothane Motion Control highly recommends this and all our polyurethane suspension kits be installed by a qualified automotive technician.

18-210

- 1) Remove the control arm from the vehicle.
- 2) Remove the rubber bushing from the steel shell. These can be pressed out, no need to burn them out. DO NOT remove the shell from the control arm.
- 3) Thoroughly grease bushing #64331 and install into the shell.
- 4) Now grease the 3/4x2.345" sleeve and press into bushing.
- 5) Grease thrust washer #64332 and install on the opposite side.
- 6) Grease outer face of bushings and reinstall arm.
- 7) Torque to factory specifications.
- 8) Repeat steps 1-7 on the other side.

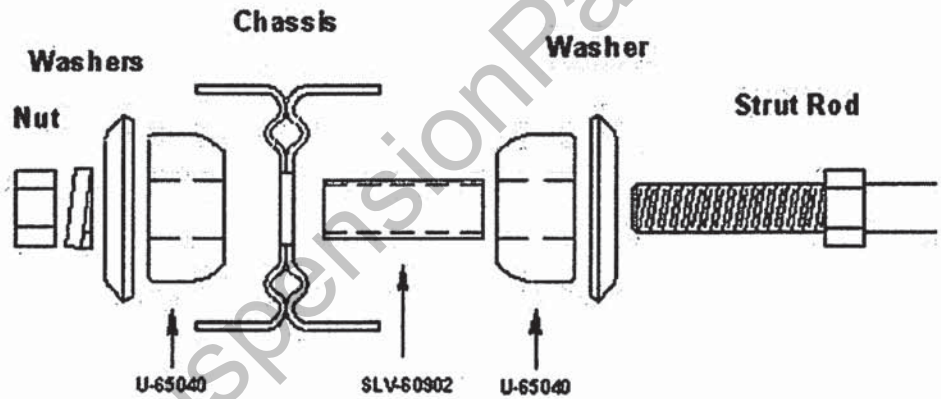


PARTS LIST FOR KIT #18-210

Part #	Description	Qty
U-64331	Bushing	2
U-64332	Thrust washer	2
SLV-60659	3/4x.4821Dx2.345"	2
19-1750-001	Super Grease	1

18-1203

- 1) Remove the strut rods from the vehicle.
- 2) Remove the original bushings from the strut rods, including the inner sleeve. Retain original washers and nuts for use with new bushings.
- 3) Install new bushings onto vehicle per diagram. Make sure bushing direction matches that depicted in diagram.
- 4) Torque retaining nut to factory specifications.



PARTS LIST FOR KIT #18-1203

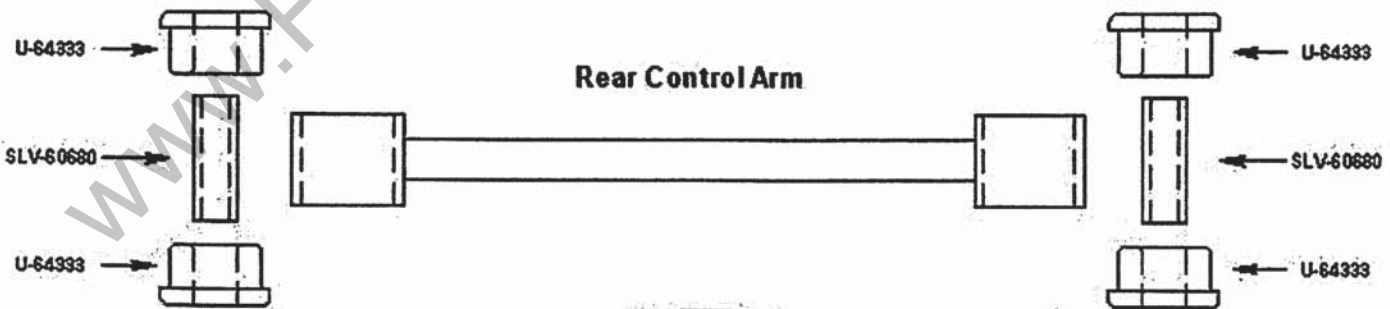
Part #	Description	Qty
U-65040	Bushing	4
SLV-60902	3/4x.8341Dx2.05"	2

18-305

- 1) Remove the rear control arm from the vehicle.
- 2) Remove the original bushings from the rear control arm. These bushings can be pressed out, no need to burn them out.
- 3) Thoroughly grease bushings #64333 and install into the control arm by hand.
- 4) Grease the 3/4x1.95" sleeve and press into the bushings by hand.
- 5) Grease the outer face of bushings #64333 and install onto vehicle.
- 6) Torque all fastening hardware to factory specifications.

PARTS LIST FOR KIT #18-305

Part #	Description	Qty
U-64333	Bushing	16
SLV-60680	3/4x.4821Dx1.95"	8
19-1750-001	Super Grease	4



PROTHANE
MOTION CONTROL