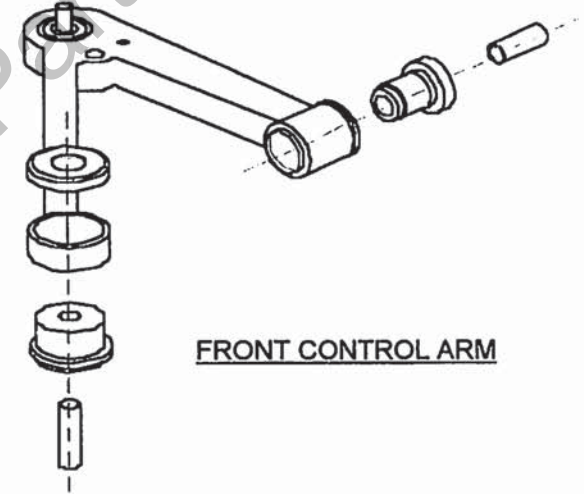


INSTALLATION INSTRUCTIONS FOR KIT #4-209 95-99 NEON FRONT CONTROL ARM BUSHINGS

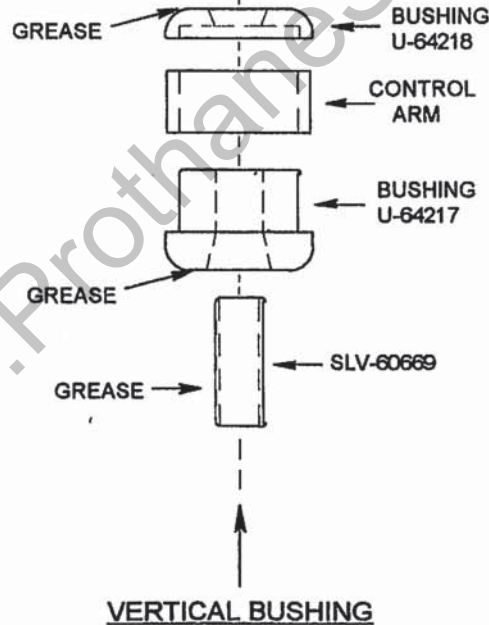
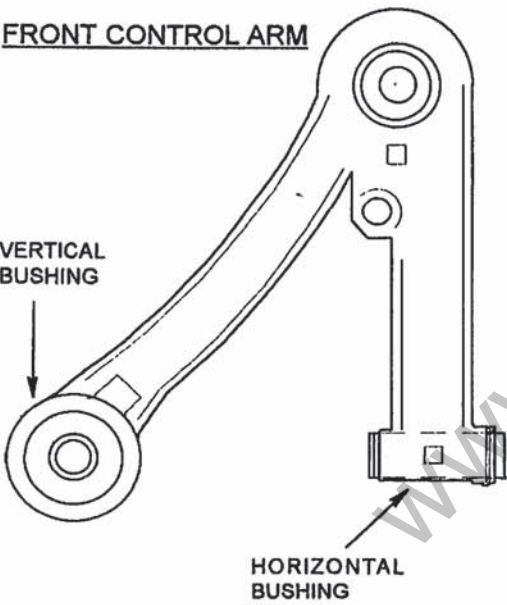
1. REMOVE THE FRONT CONTROL ARMS. IT IS RECOMMENDED YOU DO ONE SIDE AT A TIME SO YOU MAY REFER BACK TO THE ASSEMBLED SIDE OF THE SUSPENSION.
2. PRESS OUT THE VERTICAL BUSHING AND SHELL. BE CAREFUL NOT TO SCAR THE I.D. OF THE CONTROL ARM.
3. REMOVE ALL ROUGH EDGES ON THE CASTING OF THE VERTICAL BUSHING AREA
4. REMOVE THE HORIZONTAL RUBBER BUSHING FROM THE SHELL. REMOVAL OF THE ORIGINAL RUBBER BUSHING IS BEST ACCOMPLISHED BY PRESSING OUT THE BUSHING FROM THE SHELL OR BY BURNING AWAY THE ORIGINAL RUBBER MATERIAL. **CAUTION-THIS SHOULD BE DONE BY A QUALIFIED SPECIALIST AS IT IS EXTREMELY DANGEROUS.** MAKE SURE NOT TO DAMAGE THE SHELL OR TO MOVE THE SHELL FROM IT'S ORIGINAL POSITION IN THE ARM.
5. REMOVE ALL REMAINING RUBBER MATERIAL AND CLEAN CONTACT SURFACES. THIS CAN BE DONE BY WIRE BRUSHING, SANDING, SAND BLASTING OR SIMILAR PROCESS.
6. CHECK THAT ALL THE FACES ARE SMOOTH AND FLAT.
7. LIGHTLY GREASE I.D., O.D. AND FLANGE OF BUSHINGS AND O.D. OF SLEEVES. ALSO I.D. OF CONTROL ARM AND ALL SURFACES THAT BUSHING CONTACTS. USE SPECIAL SUPER GREASE™ INCLUDED IN KIT. IF MORE GREASE IS NEEDED, OBTAIN SUPER GREASE™ FROM YOUR DEALER (PART #19-1750). IT IS RECOMMENDED THAT YOU USE ONLY OUR SPECIAL SUPER GREASE™.
8. INSTALL NEW BUSHINGS AS DIAGRAM SHOWS. MAKE SURE NOT TO MOVE THE HORIZONTAL SHELL WHEN INSTALLING THE HORIZONTAL BUSHING.
9. REINSTALL THE CONTROL ARMS ONTO THE VEHICLE AS PER THE MANUFACTURER'S SHOP MANUAL.
10. ALIGN FRONT OF VEHICLE.
11. AFTER DRIVING VEHICLE FOR APPROXIMATELY 50 MILES, RE-TORQUE CONTROL ARM RETAINING NUTS AND OR BOLTS TO BE SURE THEY HAVE NOT LOOSENED DUE TO THE BUSHINGS SETTLING IN. REPEAT THIS PROCEDURE AFTER VEHICLE IS RACED OR DRIVEN IN ABUSIVE CONDITIONS.

PARTS LIST FOR KIT #4-209		
PART#	DESCRIPTION	QTY
U-64217	VERTICAL BUSHING(BOTTOM)	2
U-64218	VERTICAL BUSHING(TOP)	2
U-64235	HORIZONTAL BUSHING	2
SLV-60669	7/8"OD x 2.000" STEEL SLEEVE	2
SLV-60749	3/4"OD x 2.430" STEEL SLEEVE	2
19-1750-001	SUPER GREASE	4

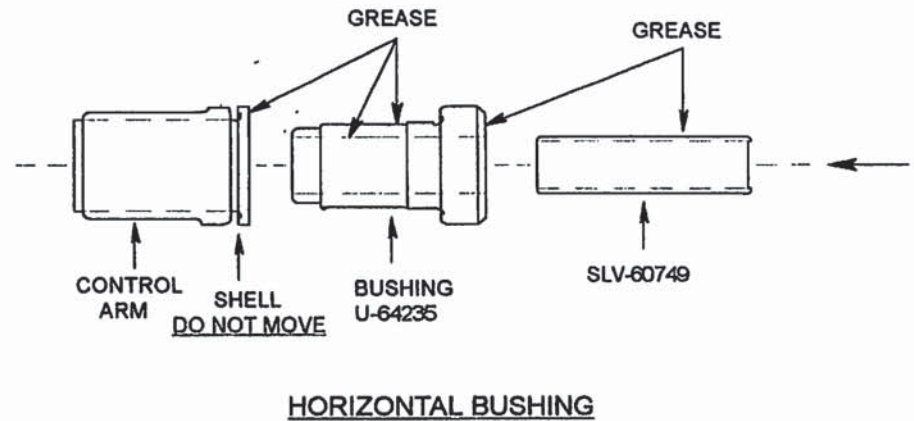


FRONT CONTROL ARM

FRONT CONTROL ARM



VERTICAL BUSHING



HORIZONTAL BUSHING