

GENERAL BODY MOUNT ASSEMBLY INSTRUCTIONS

- 1) NOTE ALL BODY MOUNT POSITIONS AND RESPECTIVE PARTS (MOUNT SIZE/TYPE, WASHERS, SPACERS, BOLTS, SHIMS, ETC.) BEFORE AND DURING DISASSEMBLY. YOU MAY HAVE TO REUSE CERTAIN FACTORY HARDWARE PIECES THAT ARE NOT INCLUDED IN KIT.
- 2) IF MOUNTING BOLTS AND NUTS ARE RUSTED, LIBERALLY SPRAY WITH PENETRATING OIL IE. WD-40.
- 3) SUPPORT VEHICLE BODY PROPERLY BEFORE REMOVING MOUNTS. USE A 2"X4" PIECE OF WOOD 24" LONG (OR ANY OTHER SUITABLE SIZE) BETWEEN JACK AND BODY PANEL TO SPREAD THE WEIGHT LOAD OUT SO AS NOT TO DAMAGE THE BODY PANELS. IF NECESSARY, SUPPORT IN SEVERAL AREAS.
- 4) LOOSEN ALL BOLTS AND NUTS BUT DO NOT REMOVE.
- 5) WORKING FROM ONLY ONE SIDE OF VEHICLE AT A TIME REMOVE MOUNTING BOLT AND NUT AND RAISE BODY ONLY HIGH ENOUGH TO REPLACE MOUNT, NEVER HIGHER. ALSO CHECK OTHER AREAS ON BODY AND FRAME TO AVOID ANY INTERFERENCE PROBLEMS WHEN RAISING BODY.
- 6) REPLACE MOUNTS ONE AT A TIME. IF NECESSARY, A DIAGRAM HAS BEEN PROVIDED FOR INFORMATION AS TO WHICH MOUNTS, WASHERS, SLEEVES AND BOLTS TO USE FOR EACH POSITION. INSTALL BOLTS BUT DO NOT TIGHTEN UNTIL ALL MOUNTS HAVE BEEN REPLACED.
- 7) AFTER ALL MOUNTS HAVE BEEN REPLACED, TORQUE BOLTS TO FACTORY SPECIFICATIONS.
- 8) AFTER DRIVING VEHICLE FOR ABOUT 1000 MILES OR OFF ROADING RE-TORQUE BOLTS AGAIN. THIS IS TO INSURE THAT THE BOLTS HAVE NOT LOOSENED DUE TO INITIAL SETTLING THAT MAY TAKE PLACE.

PARTS ASSEMBLY LIST FOR 7-134

MOUNTING POSITIONS ARE NUMBERED STARTING WITH #1 FOR THE MOST FORWARD POSITION TOWARD THE FRONT OF THE VEHICLE AND RESPECTIVELY HIGHER NUMBERS TOWARD THE REAR OF THE VEHICLE.

PARTS ARE LISTED FROM TOP (#1) TO BOTTOM.

#1 MOUNT (SEE TOP RIGHT DIAGRAM)

- 1) 2"OD x 7/16"ID WASHER
- 2) UPPER MOUNT #68067
- 3) LOWER MOUNT #68070
- 4) 3/4"OD X 5/8"ID X 1.460" STEEL SLEEVE
- 5) 2"OD X 7/16"ID WASHER

#2A* MOUNT (SEE BOTTOM RIGHT DIAGRAM)

- 1) 2 1/2"OD X 7/16"ID WASHER WITH FLAT SIDE
- 2) UPPER MOUNT #60328
- 3) LOWER MOUNT #60329
- 4) 7/8"OD X 3/4"ID X 1.500" STEEL SLEEVE
- 5) 2"OD X 7/16"ID WASHER

#2B* MOUNT (SEE BOTTOM RIGHT DIAGRAM)

- 1) NO WASHERS & SLEEVES USED
- 2) MOUNT #68066

#3, #4 MOUNT (SEE BOTTOM RIGHT DIAGRAM)

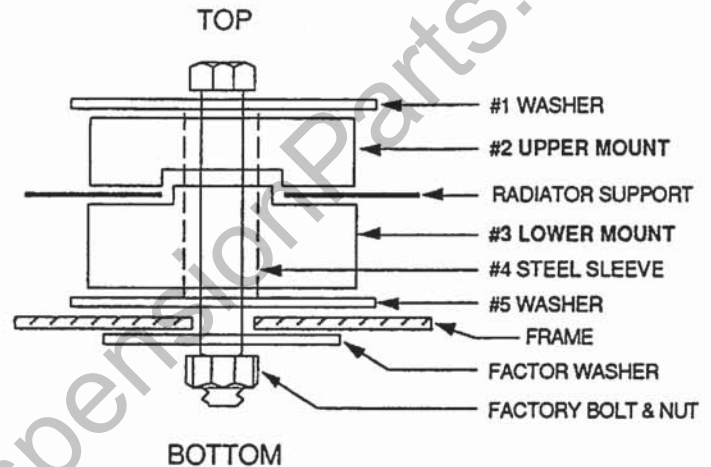
- 1) 2 1/2"OD X 3/4"ID WASHER
- 2) UPPER MOUNT #60328
- 3) LOWER MOUNT #60339
- 4) 7/8"OD X 3/4"ID X 1.500" STEEL SLEEVE
- 5) 2"OD X 7/16"ID WASHER

#5 MOUNT (SEE BOTTOM RIGHT DIAGRAM)

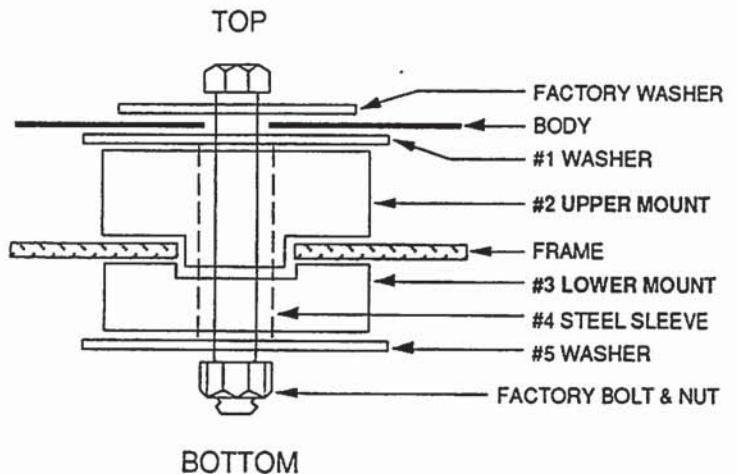
- 1) 2"OD x 7/16"ID WASHER
- 2) UPPER MOUNT #68040
- 3) LOWER MOUNT #68041
- 4) 7/8"OD X 3/4"ID X 1.375" STEEL SLEEVE
- 5) 2"OD X 7/16"ID WASHER

- *SPECIAL NOTE: 1) #2A & #2B ARE ADJACENT (SIDE BY SIDE)
 2) #2A IS CLOSER TO CENTER OF THE VEHICLE
 3) #2B IS CLOSER TO THE SIDE OF VEHICLE

#1 POSITION BODY MOUNT



#2 THRU #5 POSITION BODY MOUNTS



PARTS LIST FOR 7-134

PART #	DESCRIPTION	QTY	PART #	DESCRIPTION	QTY
U-60328	UPPER BODY MOUNT	6	WASH-1158	2"ODX7/16"ID WASHER	14
U-60329	LOWER BODY MOUNT	2	WASH-1182	2-1/2"ODX3/4"ID WASHER	4
U-60339	LOWER BODY MOUNT	4	WASH-63	2-1/2"ODX7/16"ID WSHR W/FLAT	2
U-68040	UPPER BODY MOUNT	2	SLV-60721	7/8"ODX3/4"IDX1.375" SLEEVE	2
U-68041	LOWER BODY MOUNT	2	SLV-60722	3/4"ODX5/8"IDX1.460" SLEEVE	2
U-68066	BODY MOUNT	2	SLV-60728	7/8"ODX3/4"IDX1.500" SLEEVE	6
U-68067	UPPER BODY MOUNT	2			
U-68070	LOWER BODY MOUNT	2			