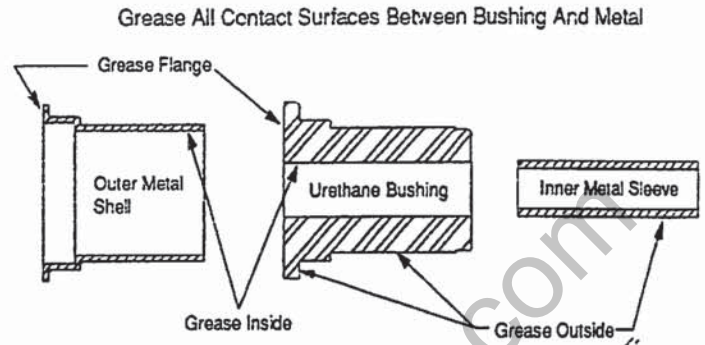


INSTALLATION INSTRUCTIONS FOR KIT #7-227

INSTRUCTIONS FOR UPPER CONTROL ARM BUSHINGS

- 1) UPPER CONTROL ARM BUSHINGS ARE DESIGNED TO REPLACE THE RUBBER PORTION OF THE ORIGINAL BUSHING AND INNER SLEEVE. THEREFORE THE ORIGINAL OUTER METAL SHELLS, WASHERS AND SPACERS MUST BE REUSED.
- 2) DISASSEMBLE CONTROL ARM, BEING CAREFUL NOT TO DAMAGE ANY PARTS THAT ARE TO BE REUSED. REMOVAL OF THE ORIGINAL RUBBER BUSHING IS BEST ACCOMPLISHED BY BURNING AWAY THE ORIGINAL RUBBER. PAY CAREFUL ATTENTION TO OTHER ADJOINING PARTS THAT COULD BE DAMAGED BY HEAT. CAUTION-THIS SHOULD BE DONE BY A QUALIFIED SPECIALIST AS IT IS EXTREMELY DANGEROUS.
- 3) REMOVE ALL OF THE ORIGINAL RUBBER BUSHING MATERIAL AND CLEAN CONTACT SURFACES. THIS CAN BE DONE BY WIRE BRUSHING, SANDING OR SIMILAR PROCESS.
- 4) DISASSEMBLE NEW URETHANE BUSHINGS. LIGHTLY GREASE BUSHINGS AS DIAGRAM INDICATES WITH HI-TECH TEFLON GREASE INCLUDED IN KIT. IF MORE GREASE IS NEEDED, OBTAIN HI-TECH GREASE FROM YOUR DEALER (PART #19-1750). USE ONLY OUR SPECIAL HI-TECH TEFLON GREASE.
- 5) INSTALL NEW URETHANE BUSHINGS AND SLEEVES INTO OUTER SHELLS AND ALL NECESSARY WASHERS AND SPACERS.

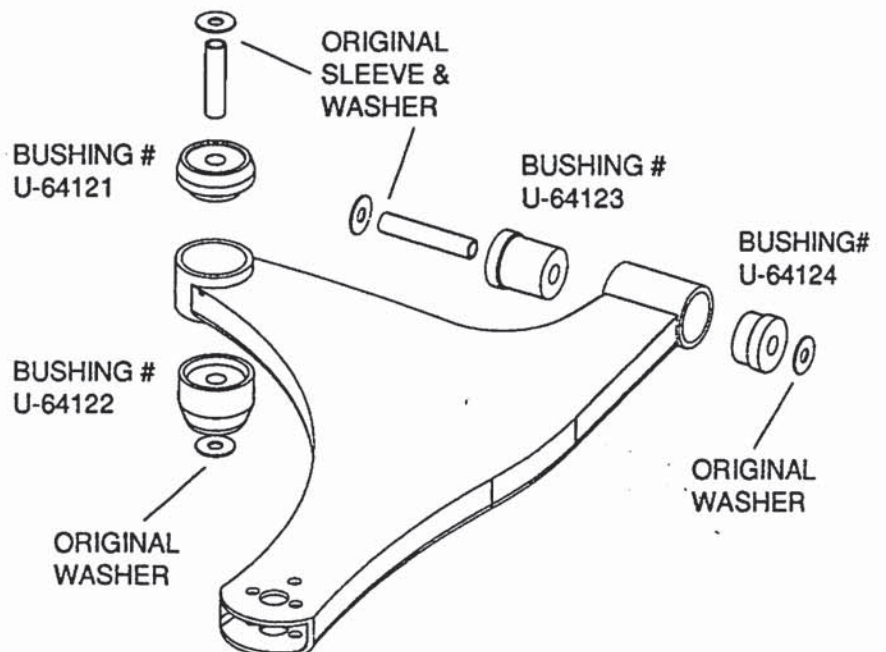
UPPER CONTROL ARM BUSHING DIAGRAM



INSTRUCTIONS FOR LOWER CONTROL ARM BUSHINGS

- 1) REMOVING HORIZONTAL BUSHINGS:
 - A) ORIGINAL WASHERS, SLEEVES & OUTER SHELLS MUST BE REUSED. CAREFULLY REMOVE WASHERS FROM THE END OF BUSHINGS BY TAPPING THEM OUT FROM THE OPPOSITE END USING A LONG PUNCH.
 - B) PRESS OUT SLEEVES. IF SLEEVES ARE DIFFICULT TO REMOVE, SLIGHTLY HEATING THE OUTSIDE OF THE SHELL WILL HELP BREAK THE RUBBER BOND.
 - C) REMOVE RUBBER BUSHINGS, BUT DO NOT REMOVE THE OUTER SHELLS. CLEAN INSIDE OF SHELLS OF ANY RESIDUAL RUBBER OR DEBRIS.
- 2) REMOVING VERTICAL BUSHINGS:
 - A) ORIGINAL WASHERS & SLEEVES MUST BE REUSED. CAREFULLY REMOVE WASHERS FROM THE END OF BUSHINGS BY TAPPING THEM OUT FROM THE OPPOSITE END USING A LONG PUNCH.
 - B) PRESS OUT SLEEVES. IF SLEEVES ARE DIFFICULT TO REMOVE, SLIGHTLY HEATING THE OUTSIDE OF THE SHELL WILL HELP BREAK THE RUBBER BOND.
 - C) REMOVE RUBBER BUSHINGS AND OUTER SHELLS. CLEAN AREA WHERE BUSHING OUTER SHELL WAS PRESSED INTO CONTROL ARM OF RESIDUAL DEBRIS.
- 3) INSTALLING HORIZONTAL & VERTICAL BUSHINGS:
 - A) LIGHTY GREASE SURFACES OF BUSHINGS THAT CONTACT METAL WITH SPECIAL HI-TECH TEFLON GREASE INCLUDED IN KIT. IF MORE GREASE IS NEEDED, OBTAIN HI-TECH GREASE FROM YOUR DEALER (PART #19-1750). USE ONLY OUR SPECIAL TEFLON GREASE.
 - B) INSTALL BUSHINGS AS SHOWN IN DIAGRAM..
 - C) INSTALL INNER METAL SLEEVES, AGAIN LIGHTY GREASING ANY SURFACE THAT CONTACTS THE BUSHING. INSTALL WASHERS.

LOWER CONTROL ARM BUSHING DIAGRAM



PARTS LIST FOR KIT #7-227

PART #	DESCRIPTION	QUANTITY
U-64120	UPPER C-ARM BUSH	4
U-64121	LOWER VERTICAL BUSH	2
U-64122	LOWER VERTICAL BUSH	2
U-64123	LOWER HORIZONTAL BUSH	2
U-64124	LOWER HORIZONTAL BUSH	2
SLV-60709	STEEL INNER SLEEVE	4
19-1750-001	SUPER GREASE	2